

Handi Mic Pro Plus

Dynamic Microphone



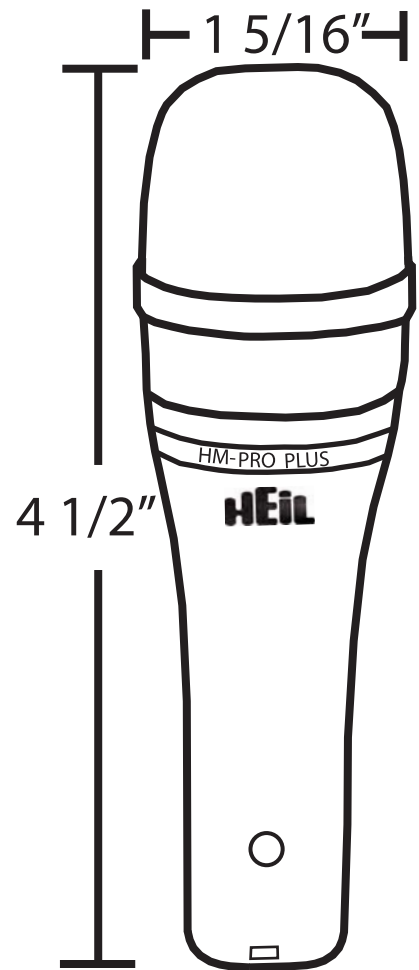
- Fits easily anywhere. Great for drums
- Heavy steel construction
- Perfect low profile interview mic
- 3 pin balanced 600 ohm, high output
- Assembled and tested in Illinois



Frequency response	80 Hz - 15 kHz
Polar pattern	cardiod
Impedance	600 ohm balanced
Output level	-55 dB
End fire generating element	.75" diameter dynamic
Polarity	pin 2+
Magnet structure	neodymium
Case structure	zinc alloy
Dimensions	
Length	4.50"
Diameter	1.31"
Stem diameter	3/4"
Weight	7 oz.
Finish	matte black lacquer
Furnished Accessories	microphone stand clamp and foam windscreen
Optional Accessories	SM-1, PL 2T, SB-2 CB-1 PTT

The Heil Handi Mic Pro Plus represents completely new dynamic microphone technology designed for a wide range of professional applications such as live sound, commercial broadcast, and sophisticated recording. Its wide frequency range outperforms the tired, 30+ year old industry technology and can withstand huge amounts of SPL. The end result is a microphone that can answer the call to any application. The Handi Mic Pro Plus is ideal for use with tom drums where smaller microphones are needed, as well as inside Leslie speakers. The Handi Mic is perfect for an interview microphone where its small size makes it a very low profile microphone with great sound.

Since 1982, Heil Sound has been the leading manufacturer of communications microphones and has a paramount understanding of phasing. When properly applied, this knowledge creates outstanding cardioid patterns with unbelievable rear rejection that removes unwanted sounds that try to enter from the off axis rear. The pattern control of the Heil Handi Mic Pro Plus is outstanding. This exceptional performance is achieved by using the ideal combination of materials for the large low mass diaphragm and a special mixture of neodymium, iron, and boron that gives the Handi Mic Pro Plus the strongest magnet structure available.



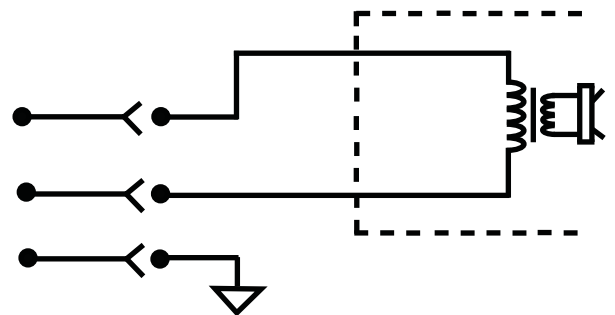
Engineers' Specifications:

Special attention has been paid to the phasing plug assembly with equally placed ports that sense audio from behind, entering them out of phase. Thus, the Handi Mic Pro Plus produces a very linear cardioid pattern and reduces the proximity effect while achieving perfect articulation. This new Heil element is usable in extreme high sound pressure levels and is immune to overload conditions making it perfect for vocal and live sound applications.

The Handi Mic Pro Plus is supplied with a standard 5/8" -27 mic clip, a unique wall mount and a foam windscreen.

Suggested Accessories include: the Heil Topless Boom, SM-1 Shock Mount and the CB-1 PTT Classic Base.

Wiring Diagram:



Heil Sound Ltd.
5800 North Illinois
Fairview Heights, IL 62208
618-257-3000 618-257-3001 fax
www.heilsound.com



For information contact
info@heilsound.com
For orders contact
orders@heilsound.com
For technical support contact
618-257-3000